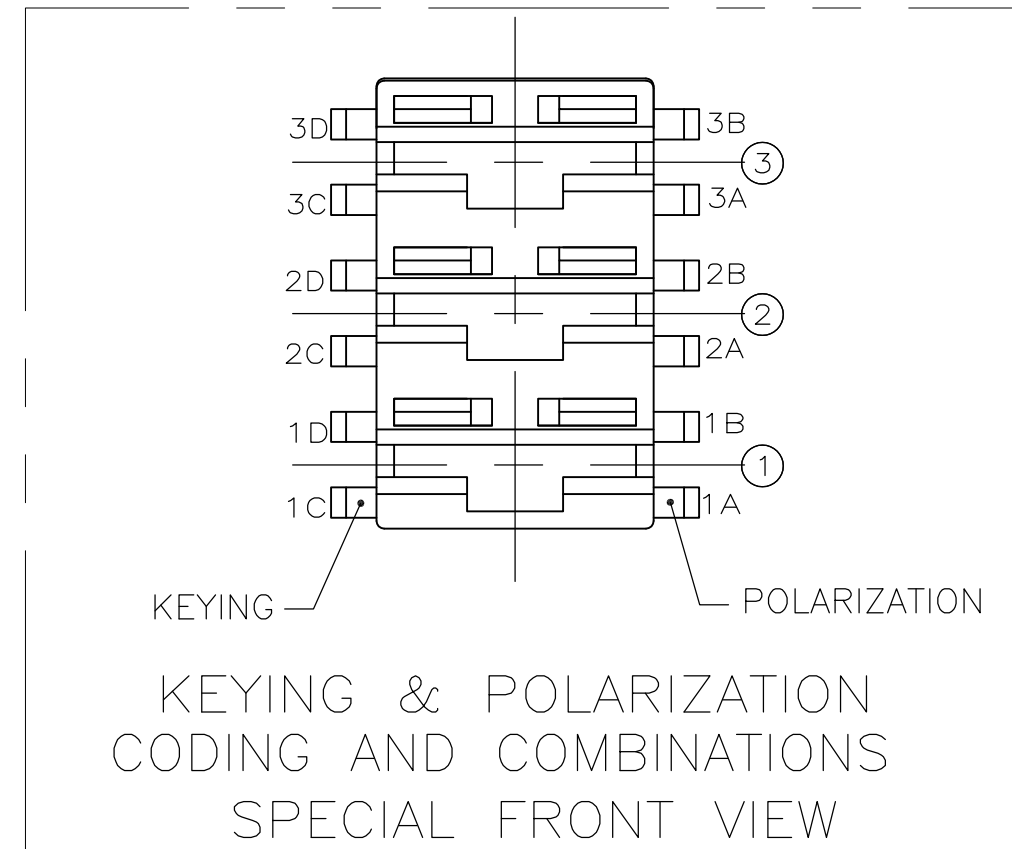
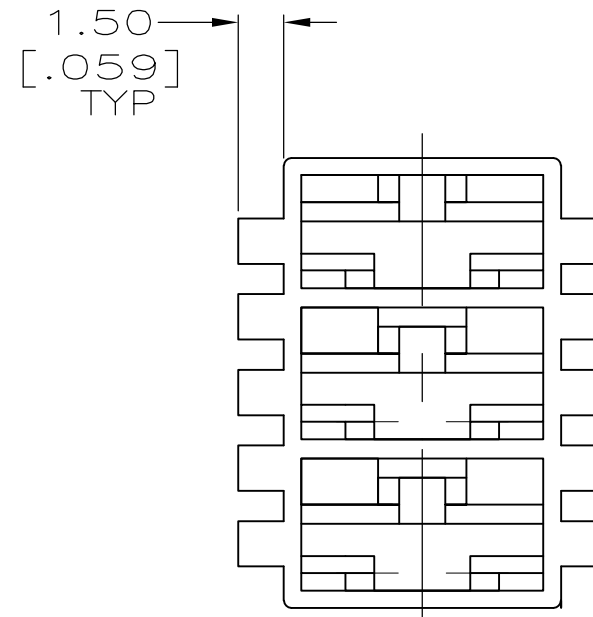
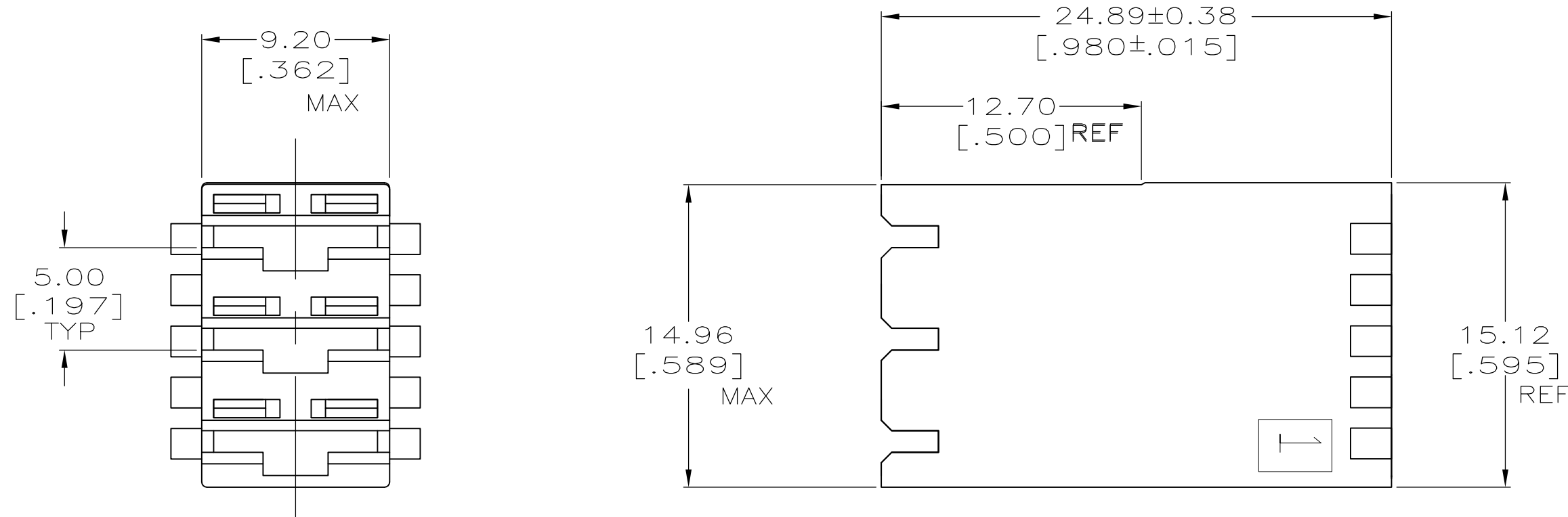
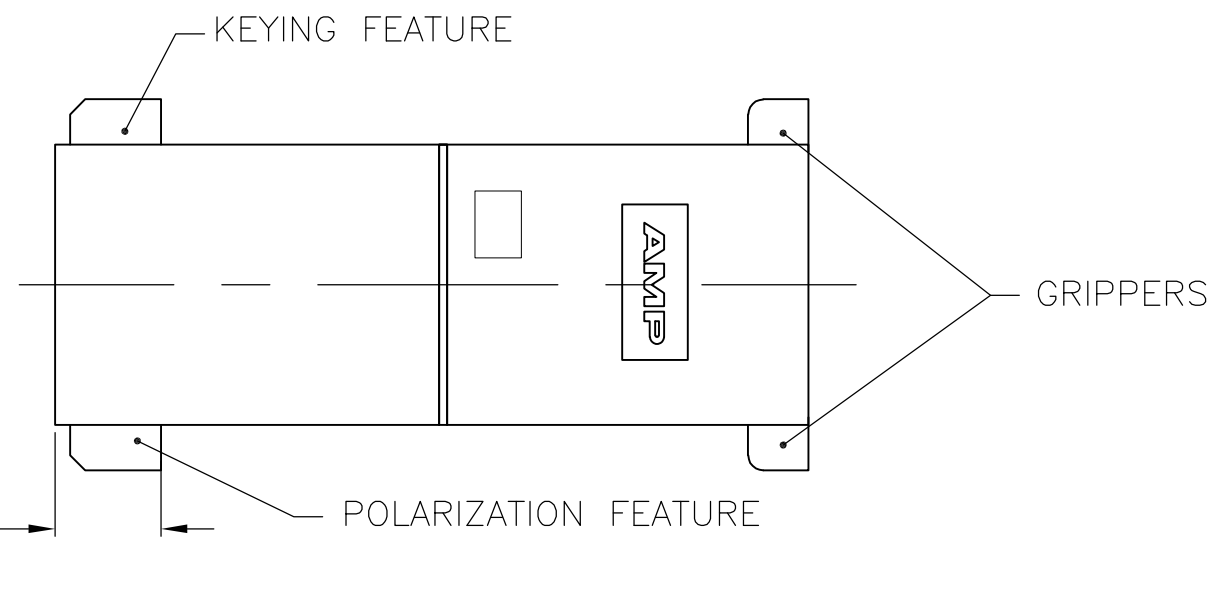


THIS DRAWING IS UNPUBLISHED. RELEASED FOR PUBLICATION
 © COPYRIGHT - By - ALL RIGHTS RESERVED.

REVISIONS					
P	LTR	DESCRIPTION	DATE	DWN	APVD
G1		REVISED PER ECR-16-009143	07JUL2016	BW	RS



1 ACCEPTS RECEPTACLE CONTACTS 1217378 (#22-#18 AWG SINGLE WIRE), 1217094 (#18-#14 AWG SINGLE WIRE) AND 1217095 (TWO #18'S OR TWO #16'S OR A #16 + #18 COMBINATION).

2 FRONT AND BACK VIEWS SHOW ONLY THE GRIPPERS. FOR KEYING AND POLARIZATION FEATURES, SEE SPECIAL FRONT VIEW.

- ③ ACCORDING TO IEC 60335-1, GWEPT 750°C WITHOUT FLAME
- ④ PRELIMINARY - NOT FOR PRODUCTION
- ⑤ PREPRODUCTION- FASR REQUIRED

-	NATURAL	1A,3A	1C	④	9-521205-3
-	BLUE	1C,3D	1B	④	1-521205-9
③	NATURAL	1C, 3C	3B	⑤	1-521205-1
-	BLACK	NONE	NONE	④	1-521205-0
-	BLUE	1C,3D	1B		521205-9
-	BLUE	1C,3D	2A,3B	④	521205-8
-	NATURAL	1C,3C	3B		521205-7
03-K	NATURAL	1C,3D	3B		521205-6
-	BLUE	1C,2D	1B,3A	④	521205-5
-	BLUE	1D,2C,3D	2A		521205-4
-	BLUE	NONE	NONE	④	521205-3
03-A	NATURAL	1C,2D	1B	④	521205-2
03-A	BLUE	1C,2D	1B		521205-1
RAST 5 DESIGNATION	FINISH/COLOR	KEYING FEATURE	POLARIZATION FEATURE		PART NUMBER

THIS DRAWING IS A CONTROLLED DOCUMENT.		DWN	JR RUTH	10/20/98		TE Connectivity					
DIMENSIONS: mm [INCHES]		CHK	MS FEHER	10/20/98		NAME					
TOLERANCES UNLESS OTHERWISE SPECIFIED:		APVD	J GILLESPIE	10/20/98		HOUSING, RECEPT, POSITIVE-LOCK, MKIII, 6.35 [.250] SERIES, 3 POSITION					
0 PLC ± - 1 PLC ± - 2 PLC ± 0.25 [.010] 3 PLC ± - 4 PLC ± - ANGLES ± -		PRODUCT SPEC		APPLICATION SPEC		SIZE	CAGE CODE	DRAWING NO	RESTRICTED TO		
MATERIAL	NYLON	FINISH	SEE TABLE	WEIGHT		A2	00779	C=521205			
CUSTOMER DRAWING						SCALE	4:1	SHEET	1 OF 1	REV	G1